

Model OLS19 Conductivity Sensor



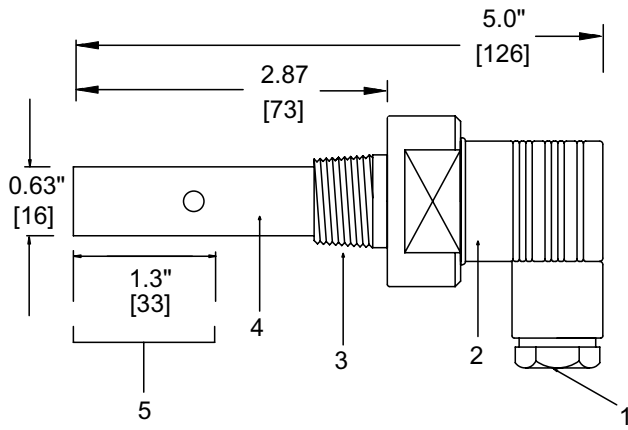
Two-electrode sensor for low conductivity measurements

- Choice of two cell constants to suit measurement requirements:
 - $k = 0.01/\text{cm}$, $0.04 - 20 \mu\text{S}/\text{cm}$
 - $k = 0.1/\text{cm}$, $0.1 - 200 \mu\text{S}/\text{cm}$
- Stainless steel electrodes and durable PES body
- Pt 100 RTD temperature compensator
- $\frac{1}{2}$ " NPT process connection offers numerous industrial mounting options
- Compact design is especially suited for application in clean water systems
- Each electrode is factory serialized and performance tested

For use in a variety of applications

- Demineralizer systems
- Reverse osmosis systems
- Cooling towers

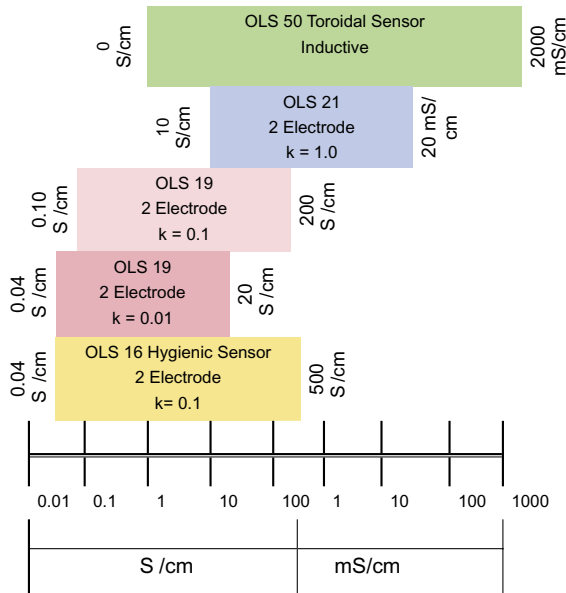
OLS19	Specifications
Cell body	PES (polyethersulfone)
Electrodes	316Ti stainless steel
Cell constant k	0.01/cm or 0.1/cm
Measuring range for $k = 0.01/\text{cm}$	$0.04 \mu\text{S}/\text{cm} - 20 \mu\text{S}/\text{cm}$
Measuring range for $k = 0.1/\text{cm}$	$0.1 \mu\text{S}/\text{cm} - 200 \mu\text{S}/\text{cm}$
Connection	Four-pole terminal head, NEMA 4X
Temperature sensor	Pt 100 RTD
Max. temperature	$60 \text{ }^\circ\text{C}$ ($140 \text{ }^\circ\text{F}$)
Max. pressure	6 bar at $20 \text{ }^\circ\text{C}$ (90 psig at $68 \text{ }^\circ\text{F}$) 1 bar at $60 \text{ }^\circ\text{C}$ (15 psig at $140 \text{ }^\circ\text{F}$)



1. Measuring cable outlet
2. PES connection head
3. 1/2" NPT process connection
4. Coaxially arranged electrodes
5. Required measuring depth

Dimensions Diagram

Conductivity Sensor Selection Chart



Sensor Selection Chart

OLS19				
	A	Measuring Range	0.04 ... 20 μ S/cm (k= 0.01)	
	B	Measuring Range	0.1 ... 200 μ S/cm (k=0.1)	
	1A	Process Connection	1/2" MNPT, cell shaft made of PES	
	1	Measuring Surface	316 Ti SS	
	A	Temperature Sensor	Integrated Pt 100 temperature element	

Order Code

Cables	Double Shielded Conductivity Extension Cable
50085333	Price per meter
Calibration Solutions	
50081902	NIST traceable conductivity calibration solution, 74.0 μ S, 500 ml
50081903	NIST traceable conductivity calibration solution, 149.6 μ S, 500 ml
50081904	NIST traceable conductivity calibration solution, 1.406 mS, 500 ml
50081905	NIST traceable conductivity calibration solution, 12.64 mS, 500 ml
50081906	NIST traceable conductivity calibration solution, 107.00 mS, 500 ml

Accessories