



Level



Pressure



Flow



Temperature



Analytics



Registration



Systems  
Components



Services



Solutions

## Technical Information

# Memosens measuring cable and installation accessories

## CYK10 / CYK11



### Application

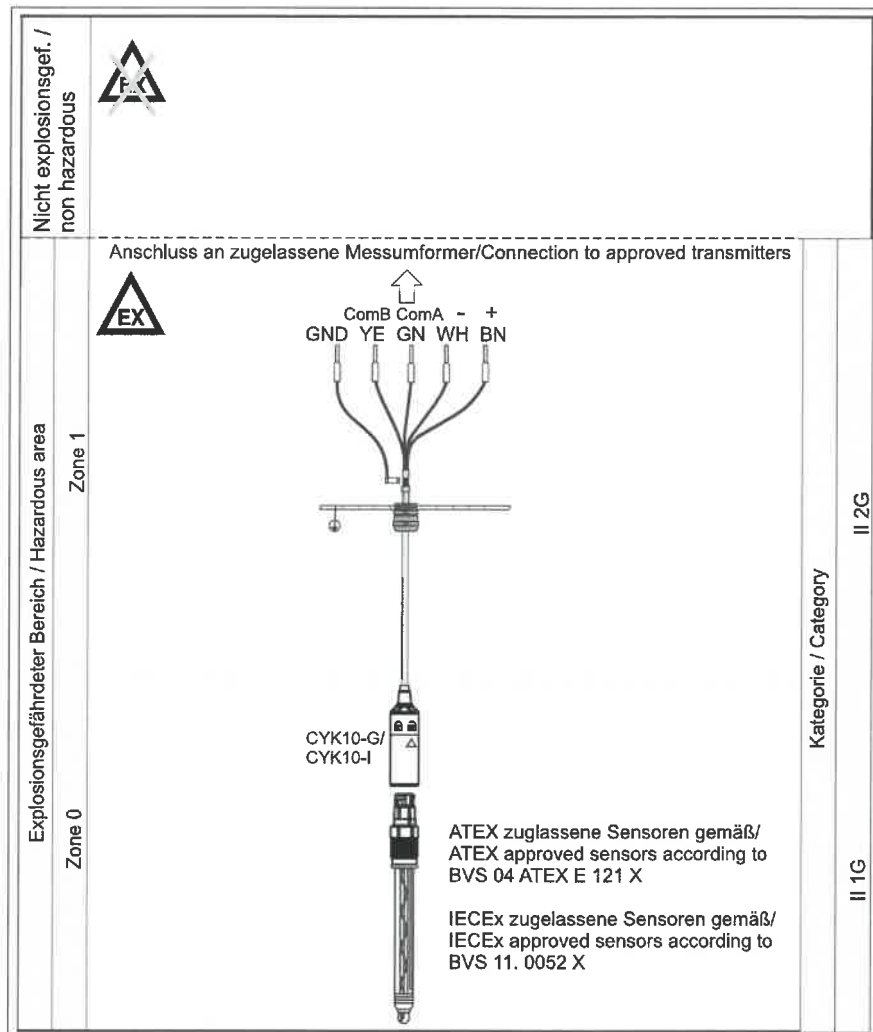
Measuring cable for all Memosens sensors and sensors with Memosens technology for nearly all parts of process engineering.

- The Memosens data cable CYK10 is used with sensors utilizing the contactless inductive signal transmission.
- The Memosens extension cable CYK11 is used for the connection of digital fixed-cable sensors with Memosens protocol. The following versions are available: Ferrule with ferrule, M12 female connector with ferrule and M12 female connector with M12 plug. CYK10 based installations can also be extended with CYK11.
- CYK10 and CYK11 can be extended with junction boxes.
- CYK10 available in versions for use in hazardous areas

### Your benefits

- Memosens data cable CYK10
  - Absolute waterproof connection (ingress protection IP 68)
  - No corrosion of contacts
  - No influence of interfering potentials thanks to galvanic isolation of transmitter and medium
- Memosens extension cable CYK11
  - Absolute waterproof connection (ingress protection IP 68)
  - Flexible and fast in application

### Connection in explosion-hazardous areas

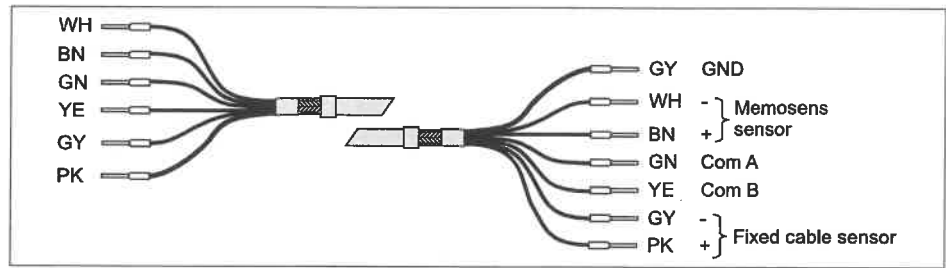


Connection in explosion-hazardous areas

- i** It is not allowed to use CYK11 as an extension for CYK10-based measuring system in hazardous areas. For hazardous areas it is recommended to use continuous and not extended Memosens measuring cable CYK10.

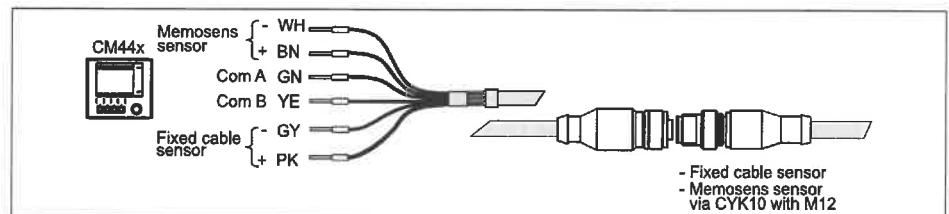
**CYK11**

**CYK11 with ferrules**



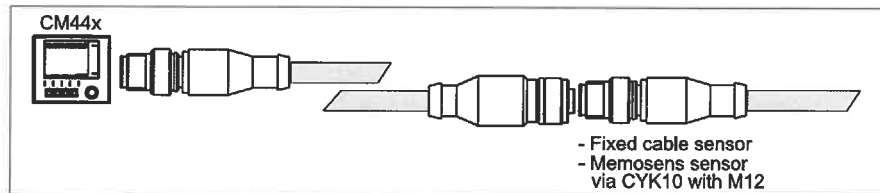
a0015715-en

**CYK11 with ferrule and M12 female connector**

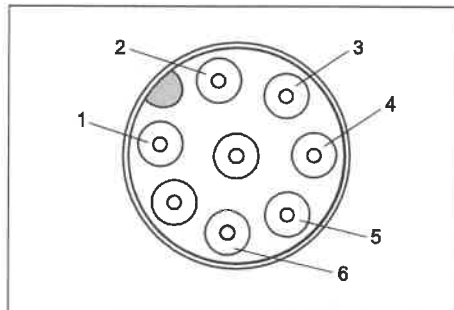


a0015716-en

**CYK11 with M12 plug and M12 female connector**



a0016506-en



a0016913

**Assignment M12 plug**

- 1  $V_{Fixed\ cable\ sensor\ (+24\ V)}$  (PK)
- 2  $GND_{Fixed\ cable\ sensor}$  (GY)
- 3  $V_{Memosens\ sensor}$  (BN)
- 4  $GND_{Memosens\ sensor}$  (WH)
- 5 RS 485 A (GN)
- 6 RS 485 B (YE)

**Material CYK10 and CYK11**

	<b>CYK10</b>	<b>CYK11</b>
Cable sheath	TPE	TPE

## Ordering information

---

### Product structure

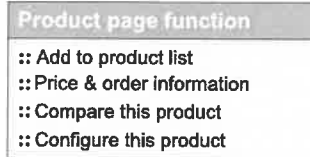
You can create a valid and complete order code using the Endress + Hauser Configurator tool on the Internet.

Enter the following addresses in your browser to access the relevant product page:

[www.products.endress.com/cyk10](http://www.products.endress.com/cyk10)

[www.products.endress.com/cyk11](http://www.products.endress.com/cyk11)

1. The following options are available on the right-hand side of the page:



2. Select "Configure this product".
  3. A new window opens with the Configurator. Using this tool, you can configure your device and you will receive a valid and complete order code for this.
  4. Then export the order code as a PDF or as an Excel file selecting from the buttons provided at the top of the page.
- 

### Junction box

Junction box M12 connector/cable

- Material: aluminum, painted
- Cable extension: Memosens sensors, Liquiline
- Order no. 71145498

Junction box cable/cable

- Material: aluminum, painted
- Cable extension: Memosens sensors, Liquiline
- Order no. 71145499